

Service Bulletin No: 30-002
Modification No: EC-19-0095

Ref No: 41
ATA Chapter: 30

ICE AND RAIN PROTECTION - PITOT AND STATIC SPLICE REPLACEMENT

1. Planning information

A. Effectivity

PC-24 aircraft MSN 101 thru MSN 125.

This modification will be incorporated on MSN 126 and subsequent during production.

B. Concurrent requirements

None.

C. Reason

(1) Problem

It was found during maintenance that the splices SP1003 thru SP1006, SP1033 thru SP1036 and SP1237 thru SP1240 (P/N 971.31.32.561) for the pitot and static probes showed signs of high temperature.

(2) Solution

(a) Replace the splices SP1003 thru SP1006, SP1033 thru SP1036 and SP1237 thru SP1240 (P/N 971.31.32.561) with a new type of environment-resistant splice (P/N 971.31.32.641).

(b) Replace the wire H279A10 with a 12 gauge wire H279A12.

D. Description

This Service Bulletin gives the data and instructions necessary to:

(1) Replace the splices SP1003 thru SP1006, SP1033 thru SP1036 and SP1237 thru SP1240 (P/N 971.31.32.561) with a new type of splice (P/N 971.31.32.641).

(2) Replace the wire H279A10 with a new 12 AWG wire H279A12.

E. Compliance

Mandatory.

This Service Bulletin must be embodied on all affected aircraft not later than 02 August 2019.

F. Approval

The technical content of this Service Bulletin is approved under the authority of DOA No. EASA. 21J. 357.

Pilatus advises Operators/Owners to check with their designated Airworthiness Authority for any changes, local regulations or sanctions that may affect the embodiment of this Service Bulletin.

G. Copyright and legal statement

© Pilatus Aircraft Ltd. This document contains proprietary information that is protected by copyright. All rights are reserved. No part of this document may be copied, reproduced or translated to other languages without the prior written consent of Pilatus Aircraft Ltd.

In connection with the use of this document, Pilatus does not provide any express or implied warranties and expressly disclaims any warranty of merchantability or fitness for a particular purpose. This document contains trade secrets, confidential and/or proprietary information of Pilatus and technical data subject to export control laws and regulations, including the U.S. Export Administration Regulations (EAR). Disclosure or distribution of this document contrary to the EAR, and other laws and regulations, is strictly forbidden. The above restrictions may apply to data on all pages of this document.

H. Manpower

Description	Man-Hours
Preparation	1.0
Modification	3.5
Test	0.5
Requirements after job completion	1.0
TOTAL MAN-HOURS	6.0

NOTE: Man-hours do not include the time necessary to cure sealants, paints and adhesives.

I. Weight and balance

- (1) Weight change
-0.046 lb (-0,021 kg).
- (2) Moment change
-12.656 lb*in (-0,147 kg*m).

J. Electrical load change data

Not changed.

K. Software

Not changed.

L. References

Aircraft Maintenance Manual (AMM):

PC24-A-A00-50-0000-00A-070A-A	PC24-A-A06-40-0000-00A-040A-A
PC24-A-E20-10-0003-00A-913A-A	PC24-A-E20-20-0001-00A-040A-A
PC24-A-E24-00-0000-00A-913A-A	PC24-A-E25-10-0001-00A-520A-A
PC24-A-E25-10-0001-00A-720A-A	PC24-A-E42-40-0001-00A-320B-A.

M. Publications affected

Wiring Diagram Manual (WDM).

N. Interchangeability of parts

One way interchangeable. Pre-Service Bulletin parts must not be installed on post-Service Bulletin 30-002 aircraft.

2. Material information
A. Material - Price and availability

Operators that require additional information and/or Service Bulletin material can contact their authorized Pilatus Service Center, or Pilatus Customer Support on www.pilatus-aircraft.com → contact us.

NOTE: Part numbers given in this Service Bulletin are correct at the time of approval. Pilatus Aircraft Ltd. reserves the right to change the part numbers as necessary. Part numbers of items delivered with the kit are correct when the kit is dispatched. This could lead to differences between those part numbers quoted in this Service Bulletin and the kit if parts are superseded. Operators are requested to check the Illustrated Parts Data (IPD) for delivered parts that differ from those listed in the Service Bulletin materials kit list.

Operators are requested to advise Pilatus Aircraft Ltd. of the Manufacturer's Serial Number (MSN), the flying hours and landings of aircraft that are allocated for this Service Bulletin.

B. Warranty

Credit will be issued for parts and labour for all affected aircraft on approval of a warranty claim, provided the work is accomplished by an authorized Service Center within 6 months of the issue date of this Service Bulletin.

C. Material necessary for each aircraft

Modification kit number	Price	Availability
500.50.24.026	Contact as above	Approximately 3 months

(1) Material to order from Pilatus

Modification kit number 500.50.24.026

New part No.	Description	Old part No.	Qty	Disp. code	Fig	Item
971.31.32.641	Splice	-	12	N	-	-
		971.31.32.561	12	D	-	-
919.79.40.288	Cable, electric, DR12, 260C (H279A12)	-	1,2 m	N	-	-
		919.79.40.287	-	D	-	-
971.31.18.871	Terminal lug	-	1	N	-	-
		-	1	D	-	-

Disposition Codes: D - Discard / N - New / R - Return to Pilatus

D. Operator supplied materials

NOTE: Refer to AMM, PC24-A-A00-50-0000-00A-070A-A:

Material No.	Description	Qty	Remarks
P09-064	Tape (Silicone red, fiberglass)	AR	-
-	Cable ties (as applicable)	AR	Local supply

E. Material necessary for each spare

Not applicable.

F. Re-identified parts

Not applicable.

G. Tools and equipment

Tools and equipment	Recommended Pilatus part
Tool kit, electrician	Local supply
Crimping tool (AD-1377 Raychem)	P/N 903.00.00.208
Heat gun	Local supply

3. Accomplishment instructions - Aircraft

WARNING: BE CAREFUL WHEN YOU DO WORK ON THE ELECTRICAL SYSTEM OR A SYSTEM THAT USES THE ELECTRICAL POWER. MAKE SURE THAT IT IS SAFE BEFORE YOU APPLY ELECTRICAL POWER TO THE AIRCRAFT OR ENERGIZE THE AIRCRAFT ELECTRICAL SYSTEMS. THE ELECTRICAL POWER CAN CAUSE DEATH OR INJURY TO PERSONNEL AND CAUSE DAMAGE TO EQUIPMENT.

A. Preparation

- (1) Obey the safe maintenance practices as necessary. Refer to AMM, PC24-A-E20-10-0003-00A-913A-A.
- (2) De-energize the aircraft electrical system. Refer to AMM, PC24-A-E24-00-0000-00A-913A-A.
- (3) Put a **“DO NOT CONNECT ELECTRICAL POWER”** placard on the:
 - Overhead control panel
 - External power connection.
- (4) If necessary (to give better access), remove the pilot and copilot crew seat. Refer to AMM, PC24-A-E25-10-0001-00A-520A-A.
- (5) Remove the two screws and remove the cup holder from the LH armrest in the flight compartment.
- (6) Open/Remove the access panels/fairings in Table 1. Refer to AMM, PC24-A-A06-40-0000-00A-040A-A.

Table 1: Access panels/fairings to be opened/removed

Panel number	Panel name
221AZ	Connection panel sidewall frame 10 LH
221BZ	Lower sidewall panel LH
221PZ	Connection panel sidewall frame 10 RH

- (7) Disconnect the:
 - Electrical connector HR1011P from the electrical receptacle on HR1011
 - Electrical connector HR1211P from the electrical receptacle on HR1211
 - Electrical connector HR1021P from the electrical receptacle on HR1021.

B. Modification

- (1) Replace the wire H279A10 with the new wire H279A12. Refer to Figure 1, 2 and 5, and Hook-Up chart, Sheet 1 (Line 7):

NOTE: Cut and remove the necessary cable ties from the applicable wiring looms so that you can install the new wire.

NOTE: Use the tape (Silicone red, fiberglass) (Material No. P09-064) as necessary when you add the new wire to the existing wires in the aircraft.

NOTE: Use the applicable cable ties, as necessary, to attach the wires to the other wires in the aircraft.

- (a) Remove the nut and disconnect the terminal lug and wire H279A10 from the LOAD terminal on the pitot-static sensor (PNL1111/L002).
- (b) Cut the wire H279A10 as near as possible to the splice (SP1006).
- (c) Cut and remove the necessary cable ties from the wiring loom (between the pitot static sensor (PNL1111/L002) and the splice (SP1006)) so that you can remove the wire H279A10 from the aircraft.
- (d) Remove and discard the wire H279A10 (P/N 919.79.40.287) from the aircraft.
- (e) Use a crimping tool and install a new terminal lug (P/N 971.31.18.871) on one end of the new wire H279A12 (P/N 919.79.40.288).
- (f) Connect the terminal lug and the new wire H279A12 to the LOAD terminal on the pitot-static sensor (PNL1111/L002). Loosely install the nut.
- (g) Torque the nut plus the run-down torque. Refer to AMM, PC24-A-E20-20-0001-00A-040A-A.
- (h) Use tape (Silicone red, fiberglass) (Material No. P09-064) and the applicable cable ties (as necessary) to route the new wire H279A12 (next to wires that are in the aircraft) to the wire H279B16 (where the replacement splice (SP1006) is to be installed).

- (2) Replace the splices. Refer to Figure 1, 2, 3, 4 and 5:

NOTE: If necessary, cut and remove cable ties so that you can get access to the splices.

- (a) At the wires H276A12 and H267D16. Refer to Figure 1 (30-39-00) and Hook-Up chart, Sheet 1 (Line 1 and 2):

- 1 Cut the wires H276A12 and H267D16 as near as possible to the splice (SP1003).
- 2 Remove and discard the splice (SP1003) (P/N 971.31.32.561).
- 3 Put the new heat-shrinkable sleeve on one of the wires.
- 4 Use a crimping tool and a new splice (SP1003) (P/N 971.31.32.641) to connect the two wires H276A12 and H267D16.
- 5 Put the heat-shrinkable sleeve in position on the splice.
- 6 Use a heat gun to apply heat and install the heat-shrinkable sleeve.

- (b) At the wires H277B12N and H277A16. Refer to Figure 1 (30-39-00) and Hook-Up chart, Sheet 1 (Line 3 and 4):

- 1 Cut the wires H277B12N and H277A16 as near as possible to the splice (SP1004).
- 2 Remove and discard the splice (SP1004) (P/N 971.31.32.561).
- 3 Put the new heat-shrinkable sleeve on one of the wires.
- 4 Use a crimping tool and a new splice (SP1004) (P/N 971.31.32.641) to connect the two wires H277B12N and H277A16.
- 5 Put the heat-shrinkable sleeve in position on the splice.
- 6 Use a heat gun to apply heat and install the heat-shrinkable sleeve.

- (c) At the wires H278B12N and H278A16. Refer to Figure 1 (30-39-00) and Hook-Up chart, Sheet 1 (Line 5 and 6):

- 1 Cut the wires H278B12N and H278A16 as near as possible to the splice (SP1005).
- 2 Remove and discard the splice (SP1005) (P/N 971.31.32.561).
- 3 Put the new heat-shrinkable sleeve on one of the wires.
- 4 Use a crimping tool and a new splice (SP1005) (P/N 971.31.32.641) to connect the two wires H278B12N and H278A16.
- 5 Put the heat-shrinkable sleeve in position on the splice.
- 6 Use a heat gun to apply heat and install the heat-shrinkable sleeve.

- (d) At the wires H279A12 and H279B16. Refer to Figure 1 (30-39-00) and Hook-Up chart, Sheet 1 (Line 7 and 8):
- 1 Cut the wire H279B16 as near as possible to the splice (SP1006).
 - 2 Remove and discard the splice (SP1006) (P/N 971.31.32.561).
 - 3 If necessary, cut the wire H279A12 to the applicable length for the new splice (SP1006) installation.
 - 4 Put the new heat-shrinkable sleeve on one of the wires.
 - 5 Use a crimping tool and a new splice (SP1006) (P/N 971.31.32.641) to connect the two wires H279A12 and H279B16.
 - 6 Put the heat-shrinkable sleeve in position on the splice.
 - 7 Use a heat gun to apply heat and install the heat-shrinkable sleeve.
- (e) At the wires H297A12 and H297B16. Refer to Figure 3 (30-39-10) and Hook-Up chart, Sheet 1 (Line 9 and 10):
- 1 Cut the wires H297A12 and H297B16 as near as possible to the splice (SP1033).
 - 2 Remove and discard the splice (SP1033) (P/N 971.31.32.561).
 - 3 Put the new heat-shrinkable sleeve on one of the wires.
 - 4 Use a crimping tool and a new splice (SP1033) (P/N 971.31.32.641) to connect the two wires H297A12 and H297B16.
 - 5 Put the heat-shrinkable sleeve in position on the splice.
 - 6 Use a heat gun to apply heat and install the heat-shrinkable sleeve.
- (f) At the wires H300B12N and H300A16. Refer to Figure 3 (30-39-10) and Hook-Up chart, Sheet 1 (Line 11 and 12):
- 1 Cut the wires H300B12N and H300A16 as near as possible to the splice (SP1034).
 - 2 Remove and discard the splice (SP1034) (P/N 971.31.32.561).
 - 3 Put the new heat-shrinkable sleeve on one of the wires.
 - 4 Use a crimping tool and a new splice (SP1034) (P/N 971.31.32.641) to connect the two wires H300B12N and H300A16.
 - 5 Put the heat-shrinkable sleeve in position on the splice.
 - 6 Use a heat gun to apply heat and install the heat-shrinkable sleeve.

- (g) At the wires H301B12N and H301A16. Refer to Figure 3 (30-39-10) and Hook-Up chart, Sheet 2 (Line 13 and 14):
- 1 Cut the wires H301B12N and H301A16 as near as possible to the splice (SP1035).
 - 2 Remove and discard the splice (SP1035) (P/N 971.31.32.561).
 - 3 Put the new heat-shrinkable sleeve on one of the wires.
 - 4 Use a crimping tool and a new splice (SP1035) (P/N 971.31.32.641) to connect the two wires H301B12N and H301A16.
 - 5 Put the heat-shrinkable sleeve in position on the splice.
 - 6 Use a heat gun to apply heat and install the heat-shrinkable sleeve.
- (h) At the wires H299A12 and H299B16. Refer to Figure 3 (30-39-10) and Hook-Up chart, Sheet 2 (Line 15 and 16):
- 1 Cut the wires H299A12 and H299B16 as near as possible to the splice (SP1036).
 - 2 Remove and discard the splice (SP1036) (P/N 971.31.32.561).
 - 3 Put the new heat-shrinkable sleeve on one of the wires.
 - 4 Use a crimping tool and a new splice (SP1036) (P/N 971.31.32.641) to connect the two wires H299A12 and H299B16.
 - 5 Put the heat-shrinkable sleeve in position on the splice.
 - 6 Use a heat gun to apply heat and install the heat-shrinkable sleeve.
- (i) At the wires H303B12 and H303C16. Refer to Figure 3 (30-39-10) and Hook-Up chart, Sheet 2 (Line 17 and 18):
- 1 Cut the wires H303B12 and H303C16 as near as possible to the splice (SP1237).
 - 2 Remove and discard the splice (SP1237) (P/N 971.31.32.561).
 - 3 Put the new heat-shrinkable sleeve on one of the wires.
 - 4 Use a crimping tool and a new splice (SP1237) (P/N 971.31.32.641) to connect the two wires H303B12 and H303C16.
 - 5 Put the heat-shrinkable sleeve in position on the splice.
 - 6 Use a heat gun to apply heat and install the heat-shrinkable sleeve.

- (j) At the wires H306B12N and H306A16. Refer to Figure 3 (30-39-10) and Hook-Up chart, Sheet 2 (Line 19 and 20):
- 1 Cut the wires H306B12N and H306A16 as near as possible to the splice (SP1238).
 - 2 Remove and discard the splice (SP1238) (P/N 971.31.32.561).
 - 3 Put the new heat-shrinkable sleeve on one of the wires.
 - 4 Use a crimping tool and a new splice (SP1238) (P/N 971.31.32.641) to connect the two wires H306B12N and H306A16.
 - 5 Put the heat-shrinkable sleeve in position on the splice.
 - 6 Use a heat gun to apply heat and install the heat-shrinkable sleeve.
- (k) At the wires H307B12N and H307A16. Refer to Figure 3 (30-39-10) and Hook-Up chart, Sheet 2 (Line 21 and 22):
- 1 Cut the wires H307B12N and H307A16 as near as possible to the splice (SP1239).
 - 2 Remove and discard the splice (SP1239) (P/N 971.31.32.561).
 - 3 Put the new heat-shrinkable sleeve on one of the wires.
 - 4 Use a crimping tool and a new splice (SP1239) (P/N 971.31.32.641) to connect the two wires H307B12N and H307A16.
 - 5 Put the heat-shrinkable sleeve in position on the splice.
 - 6 Use a heat gun to apply heat and install the heat-shrinkable sleeve.
- (l) At the wires H305B12 and H305C16. Refer to Figure 3 (30-39-10) and Hook-Up chart, Sheet 2 (Line 23 and 24):
- 1 Cut the wires H305B12 and H305C16 as near as possible to the splice (SP1240).
 - 2 Remove and discard the splice (SP1240) (P/N 971.31.32.561).
 - 3 Put the new heat-shrinkable sleeve on one of the wires.
 - 4 Use a crimping tool and a new splice (SP1240) (P/N 971.31.32.641) to connect the two wires H305B12 and H305C16.
 - 5 Put the heat-shrinkable sleeve in position on the splice.
 - 6 Use a heat gun to apply heat and install the heat-shrinkable sleeve.
- (3) Do a continuity check on all open electrical connectors.

- (4) Connect the:
- Electrical connector HR1011P to the electrical receptacle on HR1011
 - Electrical connector HR1211P to the electrical receptacle on HR1211
 - Electrical connector HR1021P to the electrical receptacle on HR1021.

C. Test

WARNING: BE CAREFUL WHEN YOU DO WORK ON THE ELECTRICAL SYSTEM OR A SYSTEM THAT USES THE ELECTRICAL POWER. MAKE SURE THAT IT IS SAFE BEFORE YOU APPLY ELECTRICAL POWER TO THE AIRCRAFT OR ENERGIZE THE AIRCRAFT ELECTRICAL SYSTEMS. THE ELECTRICAL POWER CAN CAUSE DEATH OR INJURY TO PERSONNEL AND CAUSE DAMAGE TO EQUIPMENT.

- (1) Move the aircraft to an approved ground run check area.
- (2) Do the Data concentration and processing unit 1 and 2 - Engine run - Operation test. Refer to AMM, PC24-A-E42-40-0001-00A-320B-A.

D. Requirements after job completion

- (1) Make sure that the work area is clean and clear of tools and other items.
- (2) Close/Install the access panels/fairings in Table 2. Refer to AMM, PC24-A-A06-40-0000-00A-040A-A.

Table 2: Access panels/fairings to be closed/installed

Panel number	Panel name
221AZ	Connection panel sidewall frame 10 LH
221BZ	Lower sidewall panel LH
221PZ	Connection panel sidewall frame 10 RH

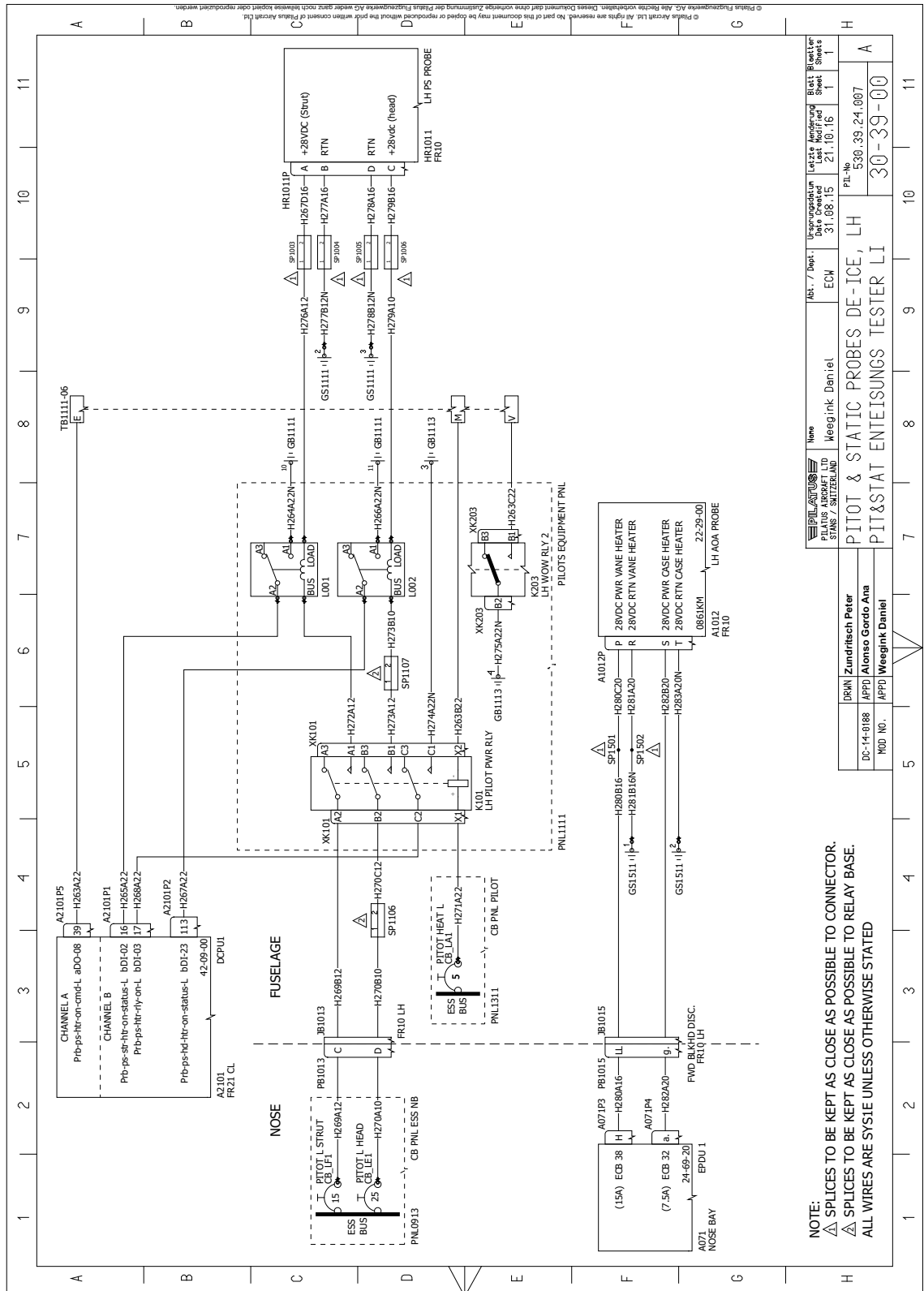
- (3) Install the cup holder on the LH armrest in the flight compartment with the two screws.
- (4) If removed, install the pilot and copilot crew seat. Refer to AMM, PC24-A-E25-10-0001-00A-720A-A.
- (5) Remove all warning placards from the aircraft.

E. Documentation

- (1) Make an entry in the Aircraft Logbook that this Service Bulletin has been incorporated.
- (2) Make sure that the Aircraft Logbook shows the new splice Pilatus Part Number (P/N 971.31.32.641).

4. Accomplishment instructions - Spares

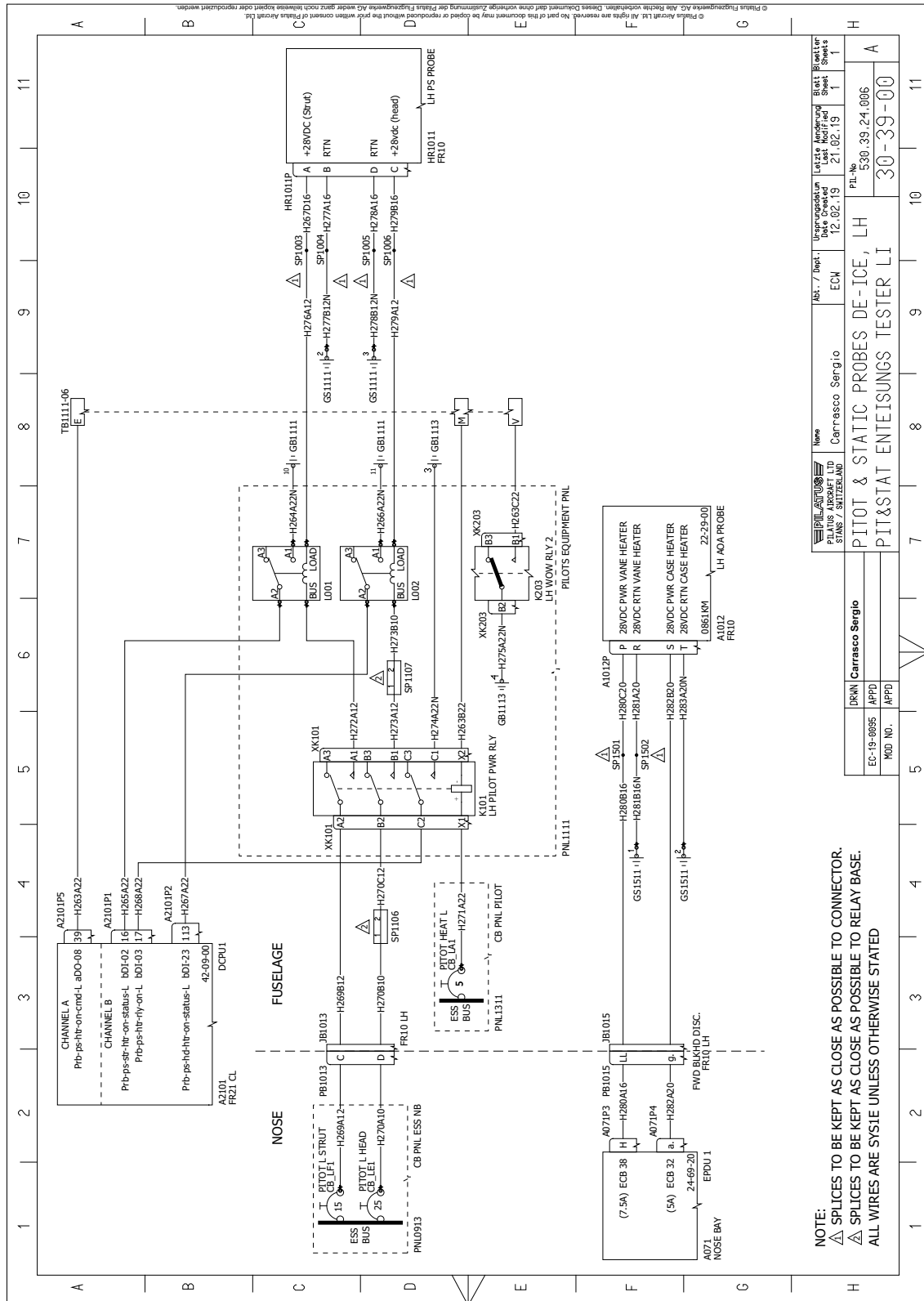
- A. Discard all splices (P/N 971.31.32.561) that are in stock.



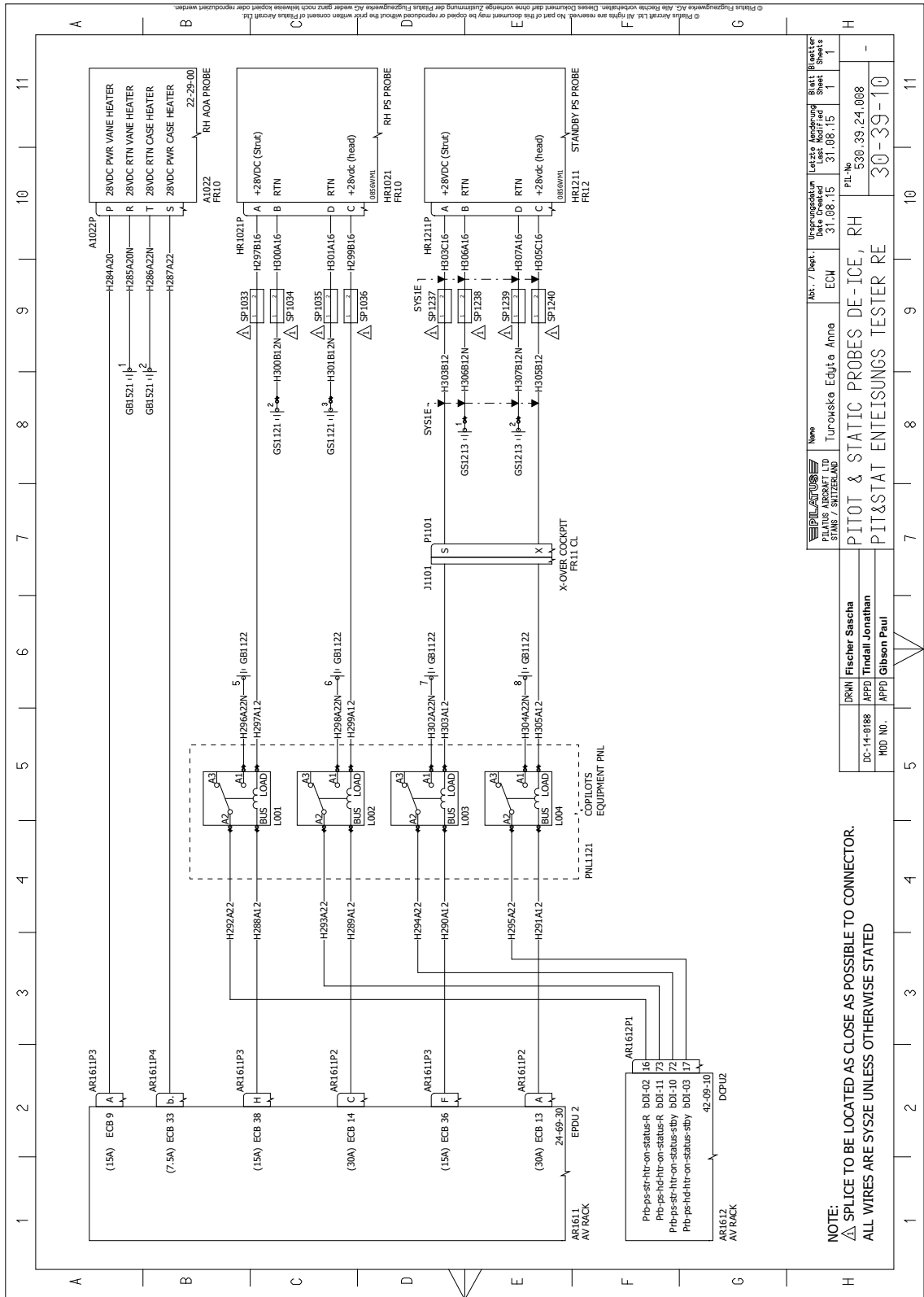
DC-14-0188	DRN	Zundritsch Peter	None	Meegink Daniel	ECM	Ursprungdatum Date Created	31.08.15	Blatt Sheet	21.10.16
	APPD	Alonso Gordo Ana						Blatt Sheet	
	APPD	Weegink Daniel						Blatt Sheet	
							PL-NO	530.39.24.007	
								30-39-00	

NOTE:
 △ SPLICES TO BE KEPT AS CLOSE AS POSSIBLE TO CONNECTOR.
 ▽ SPLICES TO BE KEPT AS CLOSE AS POSSIBLE TO RELAY BASE.
 ALL WIRES ARE SYSIE UNLESS OTHERWISE STATED

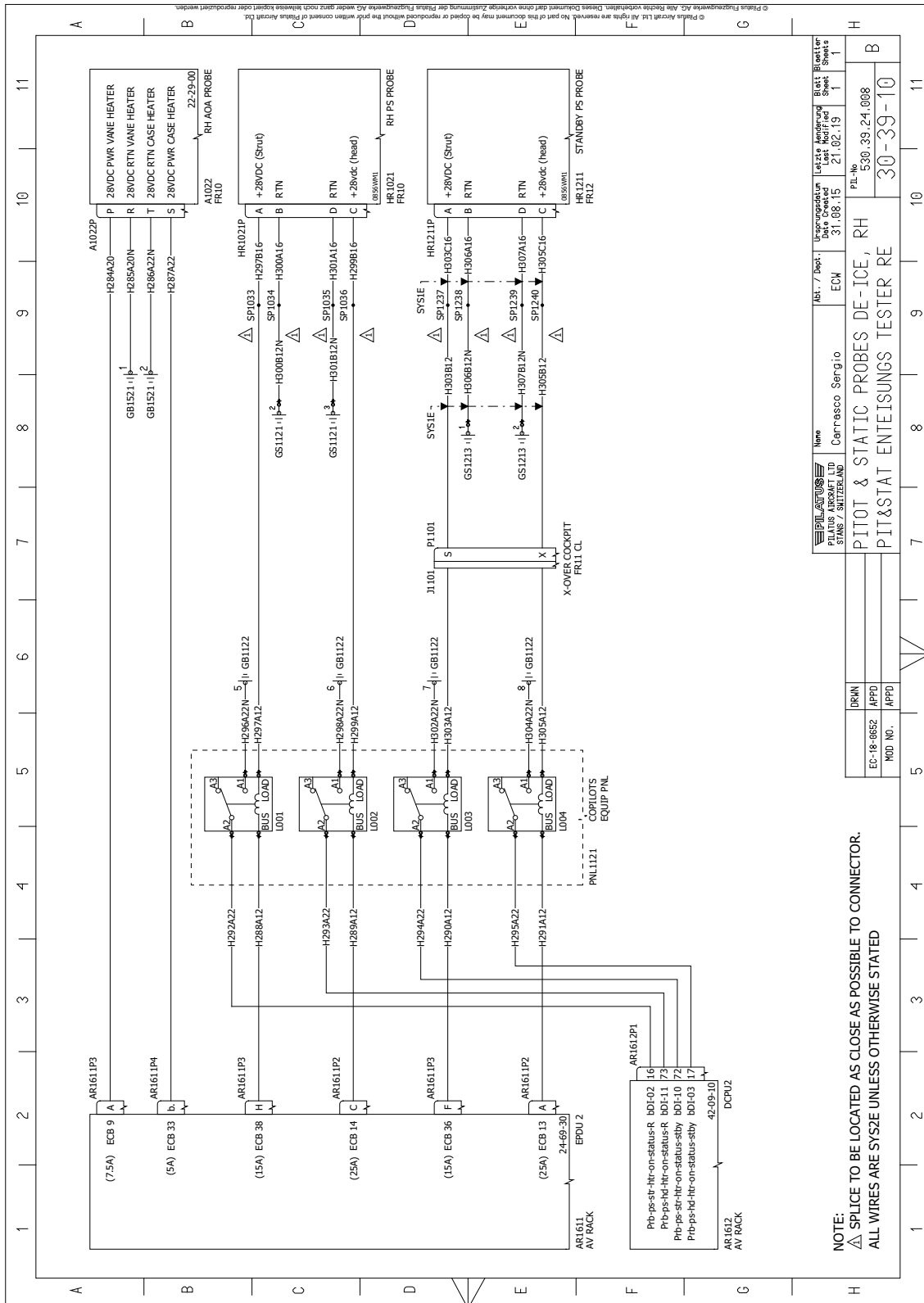
Wiring diagram 30-39-00 - Pitot & static probes de-ice, LH (Pre-Service Bulletin)
 Figure 1



Wiring diagram 30-39-00 - Pitot & static probes de-ice, LH (Post-Service Bulletin)
 Figure 2



Wiring diagram 30-39-10 - Pitot & static probes de-ice, RH (Pre-Service Bulletin)
Figure 3



Wiring diagram 30-39-10 - Pitot & static probes de-ice, RH (Post-Service Bulletin)
 Figure 4

Line	End 1			Color	Cable/Wire No.	End 2			Remarks
	Ident. No.	Terminal No.	Terminal P/N.			Terminal P/N.	Terminal No.	Ident. No.	
1	PNL1111 L001	LOAD	974.29.00.208	-	H276A12	971.31.32.561/ 971.31.32.641	-	SP1003	Disconnect/Connect End 2 (See Note 1)
2	SP1003	-	971.31.32.561/ 971.31.32.641	-	H267D16	971.75.13.511	A	HR1011P	Disconnect/Connect End 1 (See Note 1)
3	GS1111	2	-	-	H277B12N	971.31.32.561/ 971.31.32.641	-	SP1004	Disconnect/Connect End 2 (See Note 1)
4	SP1004	-	971.31.32.561/ 971.31.32.641	-	H277A16	971.75.13.511	B	HR1011P	Disconnect/Connect End 1 (See Note 1)
5	GS1111	3	-	-	H278B12N	971.31.32.561/ 971.31.32.641	-	SP1005	Disconnect/Connect End 2 (See Note 1)
6	SP1005	-	971.31.32.561/ 971.31.32.641	-	H278A16	971.75.13.511	D	HR1011P	Disconnect/Connect End 1 (See Note 1)
7	PNL1111 L002	LOAD	974.29.00.208	-	H279A10/ H279A12	971.31.32.561/ 971.31.32.641	-	SP1006	Disconnect/Connect End 1 and End 2 (See Note 1 and 2)
8	SP1006	-	971.31.32.561/ 971.31.32.641	-	H279B16	971.75.13.511	C	HR1011P	Disconnect/Connect End 1 (See Note 1)
9	PNL1121 L001	LOAD	974.29.00.208	-	H297A12	971.31.32.561/ 971.31.32.641	-	SP1033	Disconnect/Connect End 2 (See Note 1)
10	SP1033	-	971.31.32.561/ 971.31.32.641	-	H297B16	971.75.13.511	A	HR1021P	Disconnect/Connect End 1 (See Note 1)
11	GS1121	2	-	-	H300B12N	971.31.32.561/ 971.31.32.641	-	SP1034	Disconnect/Connect End 2 (See Note 1)
12	SP1034	-	971.31.32.561/ 971.31.32.641	-	H300A16	971.75.13.511	B	HR1021P	Disconnect/Connect End 1 (See Note 1)

Note 1: Replace old splice (P/N 971.31.32.561) with new splice (P/N 971.31.32.641).

Note 2: Replace wire H279A10 (P/N 919.79.40.287) with new wire H279A12 (P/N 919.79.40.288).

Hook-Up chart
Figure 5 (Sheet 1 of 2)

Line	End 1			Color	Cable/Wire No.	End 2			Remarks
	Ident. No.	Terminal No.	Terminal P/N.			Terminal P/N.	Terminal No.	Ident. No.	
13	GS1121	3	-	-	H301B12N	971.31.32.561/ 971.31.32.641	-	SP1035	Disconnect/Connect End 2 (See Note 1)
14	SP1035	-	971.31.32.561/ 971.31.32.641	-	H301A16	971.75.13.511	D	HR1021P	Disconnect/Connect End 1 (See Note 1)
15	PNL1121 L002	LOAD	974.29.00.208	-	H299A12	971.31.32.561/ 971.31.32.641	-	SP1036	Disconnect/Connect End 2 (See Note 1)
16	SP1036	-	971.31.32.561/ 971.31.32.641	-	H299B16	971.75.13.511	C	HR1021P	Disconnect/Connect End 1 (See Note 1)
17	P1101	S	971.75.13.539	-	H303B12	971.31.32.561/ 971.31.32.641	-	SP1237	Disconnect/Connect End 2 (See Note 1)
18	SP1237	-	971.31.32.561/ 971.31.32.641	-	H303C16	971.75.13.511	A	HR1211P	Disconnect/Connect End 1 (See Note 1)
19	GS1213	1	-	-	H306B12N	971.31.32.561/ 971.31.32.641	-	SP1238	Disconnect/Connect End 2 (See Note 1)
20	SP1238	-	971.31.32.561/ 971.31.32.641	-	H306A16	971.75.13.511	B	HR1211P	Disconnect/Connect End 1 (See Note 1)
21	GS1213	2	-	-	H307B12N	971.31.32.561/ 971.31.32.641	-	SP1239	Disconnect/Connect End 2 (See Note 1)
22	SP1239	-	971.31.32.561/ 971.31.32.641	-	H307A16	971.75.13.511	D	HR1211P	Disconnect/Connect End 1 (See Note 1)
23	P1101	X	971.75.13.539	-	H305B12	971.31.32.561/ 971.31.32.641	-	SP1240	Disconnect/Connect End 2 (See Note 1)
24	SP1240	-	971.31.32.561/ 971.31.32.641	-	H305C16	971.75.13.511	C	HR1211P	Disconnect/Connect End 1 (See Note 1)

Note 1: Replace old splice (P/N 971.31.32.561) with new splice (P/N 971.31.32.641).

Hook-Up chart
Figure 5 (Sheet 2 of 2)