

Service Bulletin No: 32-028

Ref No: 177

Modification No: EC-17-0397

ATA Chapter: 32

**LANDING GEAR - WHEELS AND BRAKES
REMOVAL OF THE BONDING STRAP FROM THE LEFT AND RIGHT BRAKE-PEDAL
INTERCONNECTING TIE-RODS****1. Planning Information****A. Effectivity**

All PC-7 aircraft.

B. Concurrent Requirements

None.

C. Reason**(1) Problem**

There has been an occurrence reported where the brakes have remained activated after the release of the brake pedals, post taxiing.

Investigation has found that the problem was interference from loose attachment hardware that attaches a bonding strap to the brake-pedal interconnecting tie-rod. The interference of the attachment hardware stops full and free movement of the interconnecting tie-rod and therefore prevents correct operation of the brakes.

(2) Solution

The bonding straps and attachment hardware are removed from the left and right brake-pedal interconnecting tie-rods.

D. Description

This Service Bulletin gives the data and instructions necessary to:

- (1) Get access to the left and right interconnecting tie-rods.
- (2) Remove the bonding straps from the left and right interconnecting tie-rods.

E. Compliance

Mandatory.

Accomplishment required not later than 90 days after the effective date of this Service Bulletin.

F. Approval

The technical content of this Service Bulletin is approved under the authority of Letter of DOA Acceptance ref. FOCA.21J.002.

PILATUS advises Operators/Owners to check with their designated Airworthiness Authorities for any changes, local regulations or sanctions that may affect the embodiment of this Service Bulletin.

G. Copyright Information

© Pilatus Aircraft Ltd. This document contains proprietary information that is protected by copyright. All rights are reserved. No part of this document may be copied, reproduced or translated to other languages without the prior written consent of Pilatus Aircraft Ltd.

H. Manpower

	Total
Preparation	0.50
Modification	0.50
Close Up	1.50
TOTAL MAN-HOURS	2.50

I. Weight and Balance**(1) Weight Change**

Negligible.

(2) Moment Change

Negligible.

J. Electrical Load Data

Not affected.

K. Software

Not affected.

L. References

Aircraft Maintenance Manual (AMM): 24-00-00, 24-30-01, 31-51-20, 31-51-22, 32-30-00.

Structural Repair Manual (SRM) 51-70-15.

M. Publications Affected

AMM: 32-42-05 or 32-42-07.

Illustrated Parts Catalog (IPC): 32-40-03.

N. Interchangeability of Parts

Not applicable.

2. Material Information**A. Material - Price and Availability**

No modification kit is necessary to do this Service Bulletin.

Operators who require further information should contact their Customer Liaison Manager at Pilatus Aircraft Ltd, 6371 Stans, Switzerland.

Operators are requested to advise Pilatus Aircraft Ltd. of the Manufacturer's Serial Number (MSN), the flying hours and landings of aircraft which are allocated for this Service Bulletin using the Service Bulletin Evaluation Form.

B. Material Necessary for Each Aircraft**(1) Material to be Procured**

Not applicable.

(2) Operator Supplied Tools

Not applicable.

C. Material Necessary for Each Spare

Not applicable.

D. Re-identified Parts

Not applicable.

3. Accomplishment Instructions**A. Preparation**

- (1) De-energize the aircraft electrical system (Ref. AMM 24-00-00, Page Block 201).
- (2) Disconnect the battery (Ref. AMM 24-30-01, Page Block 401).
- (3) Put a warning notice "DO NOT CONNECT ELECTRICAL POWER" at the external power receptacle.
- (4) Get access to the left interconnecting tie-rod in the front cockpit (Ref. Fig. 1, Sheet 2 and Sheet 3):
 - (a) Remove and keep the screws (6) and washers (5) from the LH front side panel (7).
 - (b) Move the LH front side panel (7) to get access to the rear of the landing-gear selector assembly (8).
 - (c) To get more access you must partially disconnect the linkage from the landing-gear selector assembly (8), remove and keep the attachment hardware that follows:
 - The bottom bolt (14)
 - The washers (10), (11) and (13)
 - The nut (9).
 - (d) Disconnect the rod end (12).
 - (e) Move and temporarily hold the LH front side panel (7) sufficiently clear of the work area to get access to the bonding strap (18) on the left interconnecting tie-rod (15).
- (5) Get access to the right interconnecting tie-rod in the front cockpit (Ref. Fig. 1, Sheet 1 and Sheet 3):
 - (a) Remove the CWS annunciator panel (3) (Ref. AMM 31-51-22, Page Block 401).

NOTE: The RH front side panel (4) may have customer specific equipment installed.
 - (b) Remove any customer specific equipment as necessary from the RH front side panel (4). Make a note of the equipment removed.
 - (c) Remove and keep the screws (2) and washers (1) from the RH front side panel (4).
 - (d) Move and temporarily hold the RH front side panel (4) sufficiently clear of the work area to get access to the bonding strap (18) on the right interconnecting tie-rod (15).

B. Modification

- (1) Remove the bonding strap from the left interconnecting tie-rod (Ref. Fig. 1, Sheet 3):
 - (a) Remove and discard the nut (23), the washer (24) and the screw (16).
 - (b) Remove and discard the P-clip (17) from the interconnecting tie rod (15).

- (c) Remove and discard the nut (22), the washer (21), the screw (19) and bonding strap (18).
- (2) Remove the bonding strap from the right interconnecting tie-rod (Ref. Fig. 1, Sheet 2):
 - (a) Remove and discard the nut (23), the washer (24) and the screw (16).
 - (b) Remove and discard the P-clip (17) from the interconnecting tie rod (15).
 - (c) Remove and discard the nut (22), the washer (21), the screw (19) and bonding strap (18).
- (3) Restore the surface protection in the area of the removed bonding straps (18) on the left and right stringers (20) (Ref. SRM 51-70-15).

C. Close Up

- (1) Close the access to the right interconnecting tie-rod in the front cockpit (Ref. Fig. 1, Sheet 1):
 - (a) Put the RH front side panel (4) in position for installation.
 - (b) Install the screws (2) and washers (1) in the RH front side panel (4).
 - (c) Install the CWS annunciator panel (3) (Ref. AMM 31-51-22, Page Block 401).
 - (d) Install any customer specific equipment you removed from the RH front side panel (4) in step 3.A.(5)(b).
- (2) Close the access to the left interconnecting tie-rod in the front cockpit (Ref. Fig. 1, Sheet 2):
 - (a) Reconnect the rod end (12) of the linkage to the landing-gear selector assembly (8).
 - (b) Install the attachment hardware that follows:
 - The bottom bolt (14)
 - The washers (10), (11) and (13)
 - The nut (9).
 - (c) Put the LH front side panel (7) in position for installation.
 - (d) Install the screws (6) and washers (5) in the LH front side panel (7).
- (3) Remove the warning notice "DO NOT CONNECT ELECTRICAL POWER" from the external power receptacle.
- (4) Connect the battery (Ref. AMM 24-30-01, Page Block 401).
- (5) Do an operational test of the landing gear (Ref. AMM 32-30-00, Page Block 501).
- (6) Do an operational test of the central warning system (Ref. AMM 31-51-20, Page Block 501).

(7) Do an operational test of any related customer specific equipment you removed in step 3.A.(5)(b).

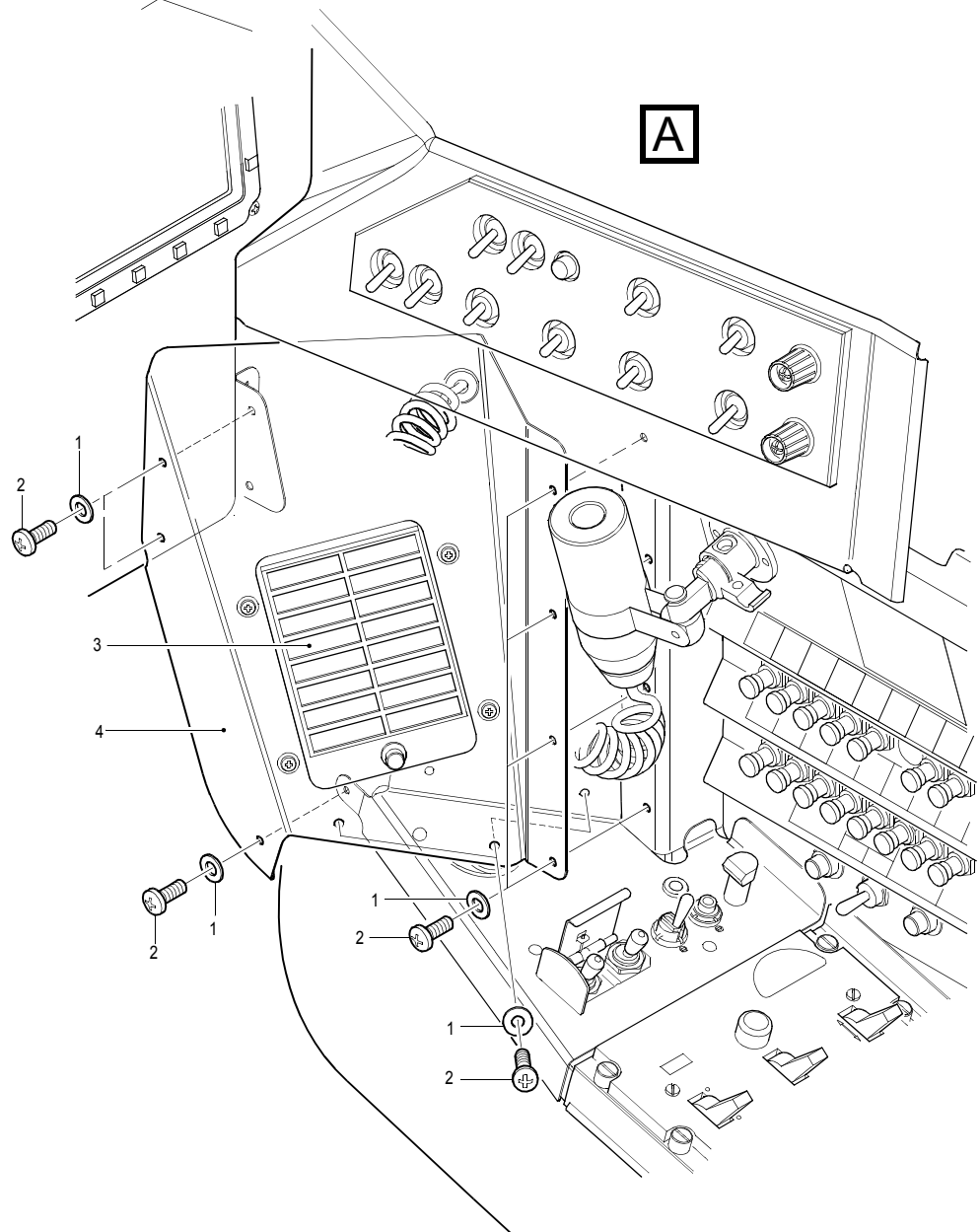
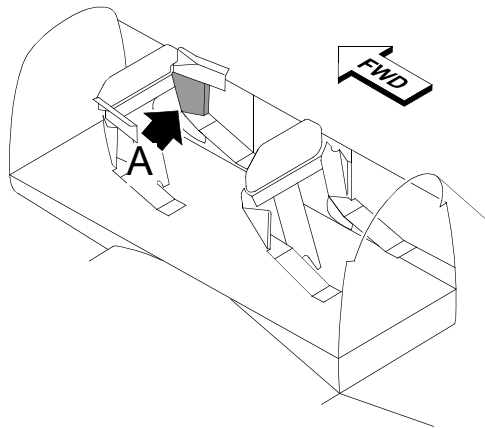
(8) Remove all tools and materials. Make sure the work area is clean.

D. Documentation

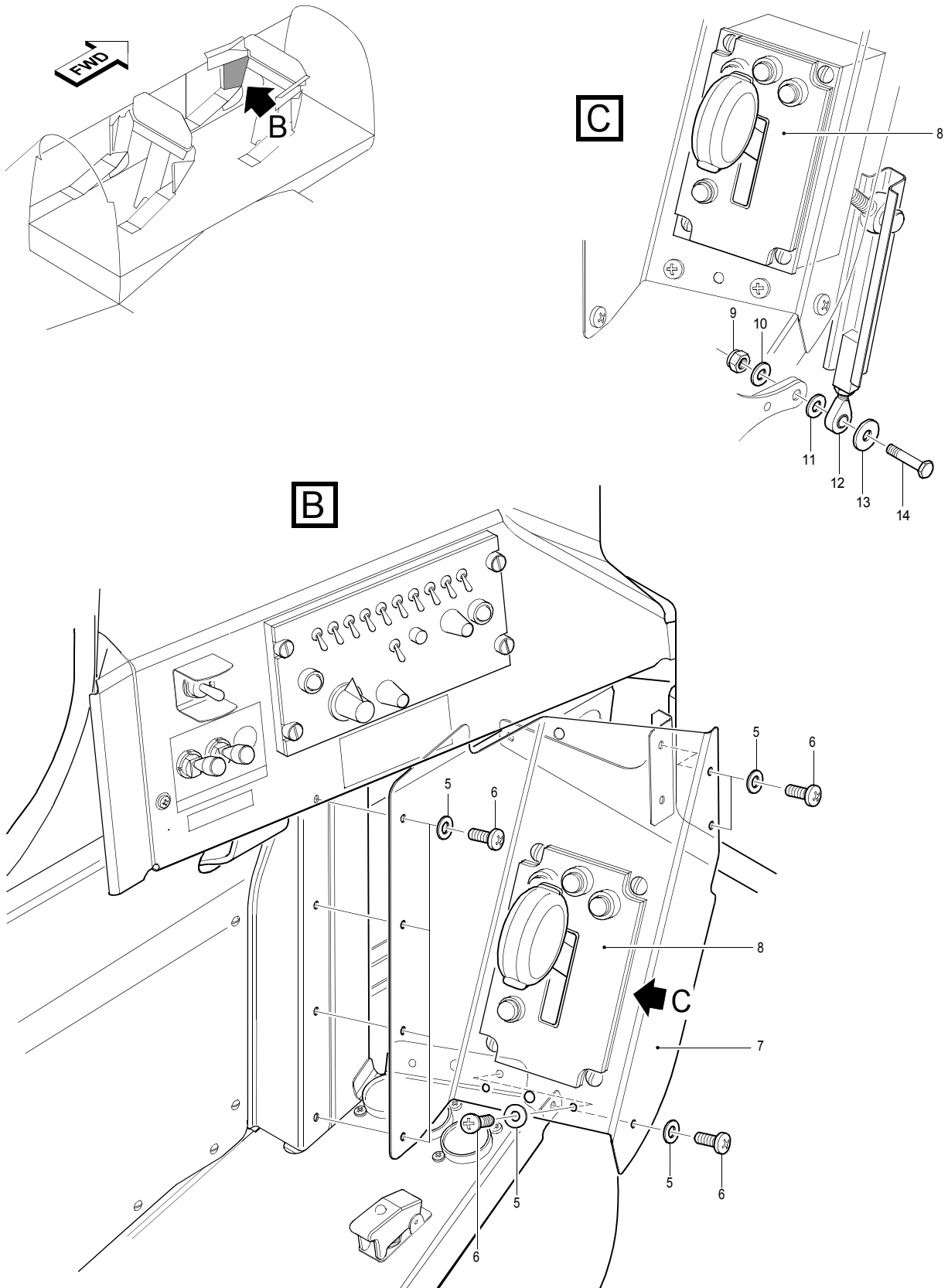
(1) Make an entry in the Aircraft Logbook that this Service Bulletin has been incorporated.

(2) Use the Service Bulletin Evaluation Sheet and report your results and the serial number(s) of the aircraft to Pilatus.

INTENTIONALLY BLANK

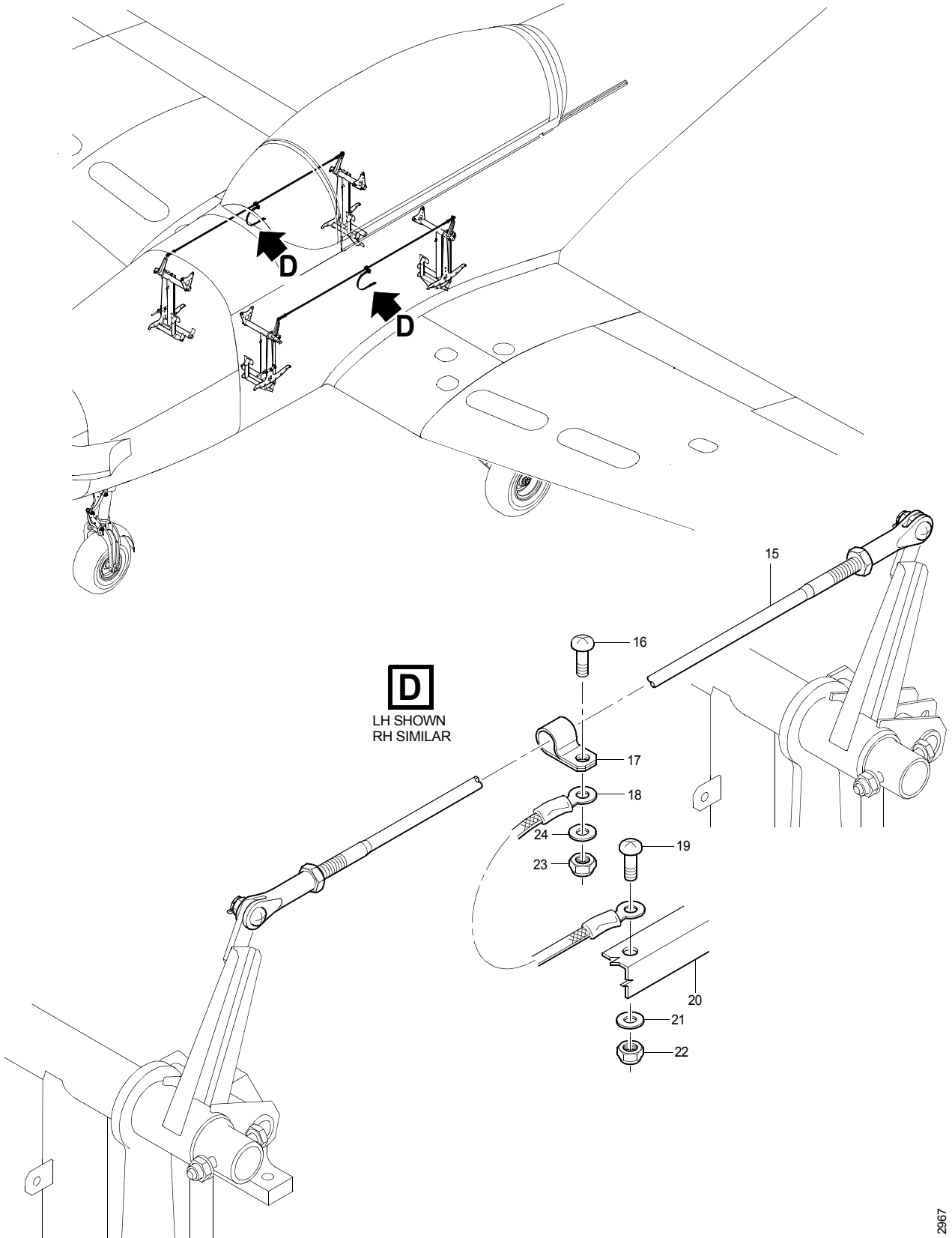


Brake-Pedal interconnecting Tie-Rod - Bonding Strap Removal
Figure 1 (Sheet 1 of 3)



Brake-Pedal interconnecting Tie-Rod - Bonding Strap Removal
Figure 1 (Sheet 2 of 3)

SB 2971



Brake-Pedal interconnecting Tie-Rod - Bonding Strap Removal
Figure 1 (Sheet 3 of 3)

INTENTIONALLY BLANK

SERVICE BULLETIN EVALUATION SHEET FOR SB No. 32-028			
Title	Landing Gear - Wheels and Brakes Removal of the Bonding Strap From the Left and Right Brake-Pedal Interconnecting Tie-Rods		
Customer			
Service Center			
EMBODIMENT REPORTING			
This SB has been embodied:		<input type="checkbox"/>	On the entire fleet
		<input type="checkbox"/>	Only partially
Provide embodiment details per aircraft (use additional copies of this table, if necessary)			
MSN	Flying Hours	MSN	Flying Hours
Additional embodiment comments/findings			
EDITORIAL COMMENTS (procedure, kit quality, suggested improvements, etc.)			
Name	Signature	Date	
Please complete and forward this form to: Pilatus Aircraft LTD, Customer Technical Support (MCC), P.O. BOX 992, 6371 Stans, Switzerland Fax: +41 (0)41 619 6773 Email: Techsupport@pilatus-aircraft.com			

SERVICE BULLETIN EVALUATION SHEET

INTENTIONALLY BLANK